

**Exit Sign****FEATURES**

- Multiple LED light source with 60,000 hours life.
- High light output, with clear white light
- Compact, and easy to install
- Ceiling or wall mounting
- Surface or Flush mounting
- Two part assembly, allowing simple 1<sup>st</sup>/2<sup>nd</sup> fix arrangement
- Integral batteries and charger
- 3 hour standby power
- Intelligent Automatic Self test
- Infra-red link, to hand-held data collection units
- Lithium Ion batteries for longer life and improved performance.
- Optional integral networking module.
- Up to 250 addresses per data loop

**GENERAL**

The Illuminex *Xscape* series of emergency lighting luminaire offers a unique solution. They utilise the latest development in photometric solid-state technology to provide improved performance, lower energy requirement and extended replacement intervals for lamp/battery pack. The range includes direction signs, emergency exit signs, bulkhead fittings and down-lights, offering a complete solution for your emergency lighting needs. All elements of the system are automatically and fully monitored, providing the building occupier with positive feedback as to the operational integrity of the system.

Each unit continuously monitors its critical components – battery, charger, light source and internal temperature. A green LED, visible from ground level, provides confirmation that everything is functioning correctly. If however, the unit has failed one of its automatic tests, or a fault is present, a red LED will be turned on and an internal buzzer will sound. (The buzzer can be programmed for “silent operation” to suit specific applications.

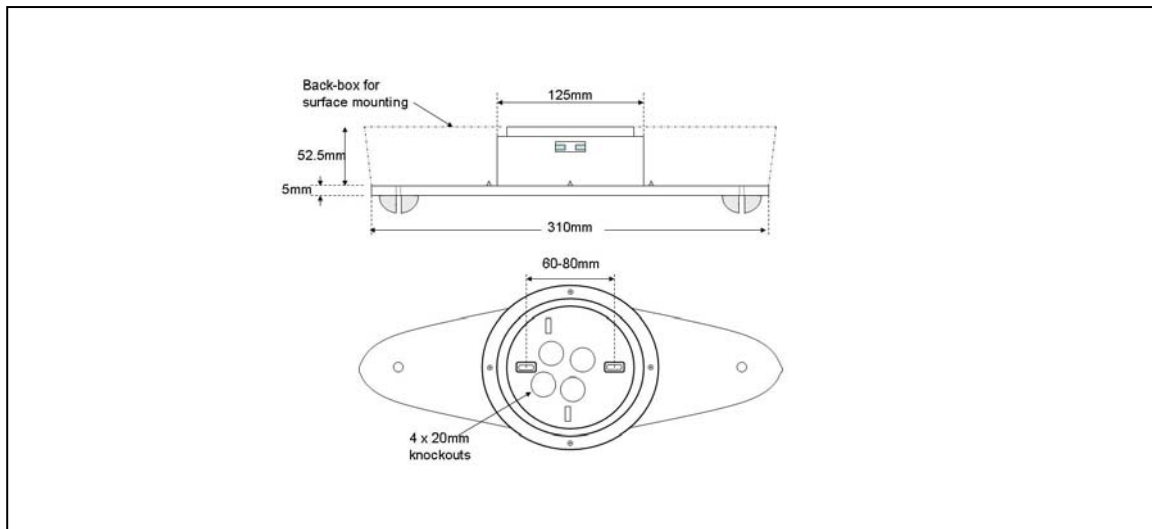
The functional testing requirements of BS5266 are performed without the need for any manual intervention. Daily, monthly and yearly tests are automatically carried out and the results of those tests are stored in the device. A simple “walk-by” inspection is all that is required to verify that each unit is fully operational.

When required, all of the test data can be recovered from each individual device using a handheld programmer and infra-red link.

Each luminaire has a unique address programmed into its memory. The onboard memory also holds the results of the automatic tests carried out on the light source, battery condition, battery charger condition and the unit’s internal temperature. This information can be retrieved by the handheld programmer from the luminaire via its Infra-red link. The infra-red link has a range of 3 Metres, therefore, the data collection process can be carried out from ground level, without the need for physical access to the luminaire.

This simple process eliminates the need for access equipment, reduces labour costs and minimises any disruption to the normal day-to-day business activities. Once all of the data has been collected it can be transferred to a P.C. for reporting, analysis and maintenance planning purposes.

When used in conjunction with our IllumiNet control panel all events on the system- including the results of positive or negative tests or faults are logged and date & time stamped, with negative test results and faults being audibly and visually annunciated.



## SPECIFICATION

Overall Dimensions:	See above
Construction:	Polycarbonate
Colour:	RAL9016
Weight:	1.2Kg
Voltage AC:	230V
Battery :	3.7V, 2.1AH, Lithium Ion
IP Rating:	IP20
Temperature Range:	-10°C to +50°C

## Part Numbers

<b>X-XS</b>	LED exit sign – flush mounting
<b>X-XS-R</b>	LED exit sign Right arrow – flush mounting
<b>X-XS-L</b>	LED exit sign Left arrow – flush mounting
<b>X-XS-D</b>	LED exit sign Down arrow – flush mounting
<b>X-XS-LR</b>	LED exit sign Left & Right arrows – flush mounting
<b>X-XFS</b>	LED exit sign incl. FIRE EXIT wording– flush mounting
<b>X-XFS-R</b>	LED exit sign incl. FIRE EXIT wording– flush mounting
<b>X-XFS-L</b>	LED exit sign incl. FIRE EXIT wording– flush mounting
<b>X-XFS-D</b>	LED exit sign incl. FIRE EXIT wording– flush mounting
<b>X-XFS-LR</b>	LED exit sign incl. FIRE EXIT wording– flush mounting
<b>X-XS-SMB</b>	Surface mounting box for the above



Tel: 01256 347195

Fax: 01256 335994

Email: sales@illuminex.co.uk

www.illuminex.co.uk

Illuminex Limited, 13 Enterprise Court, Rankine Road, Basingstoke, Hampshire, RG24 8GE

Doc Ref:XS1001.2